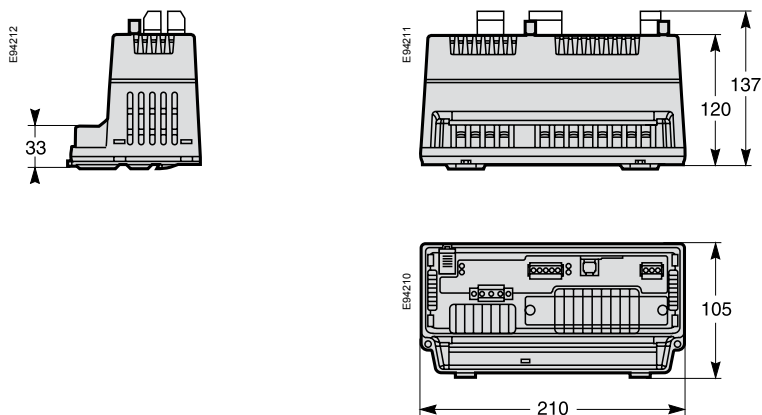


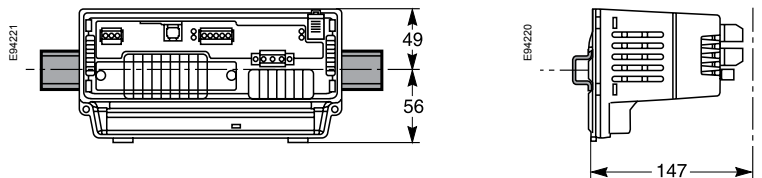
Circuit Monitor Series 3000

Installation and connection

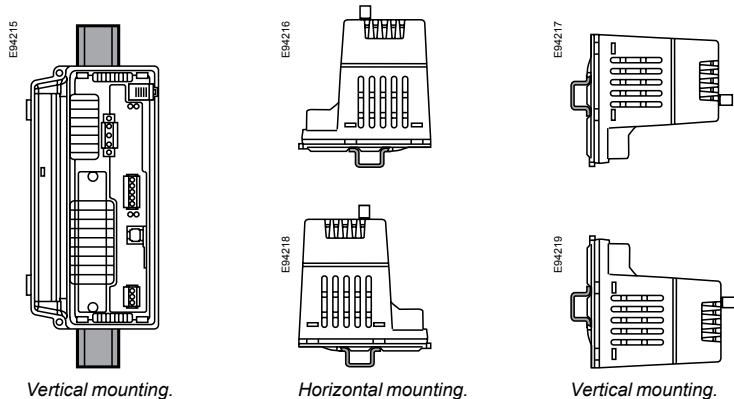
Dimensions



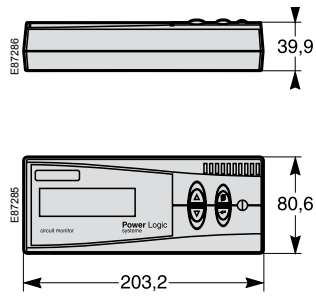
Mounting on DIN rail



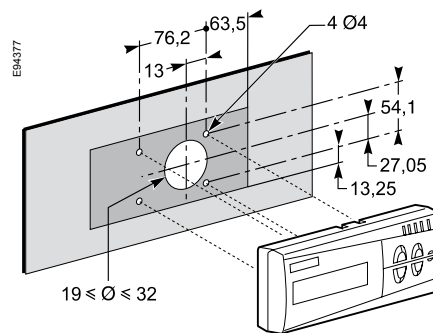
Mounting possibilities



CMDLC/CMDVF dimensions



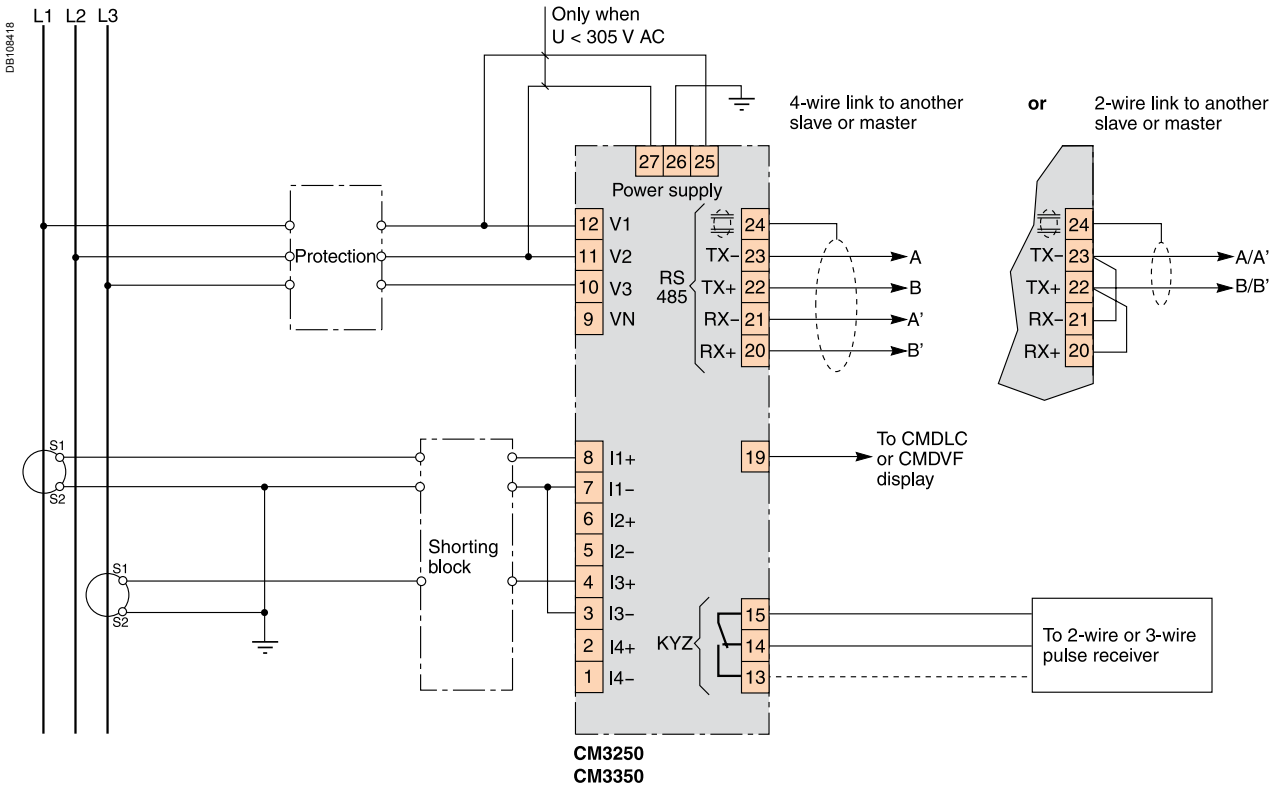
Mounting on a backplate



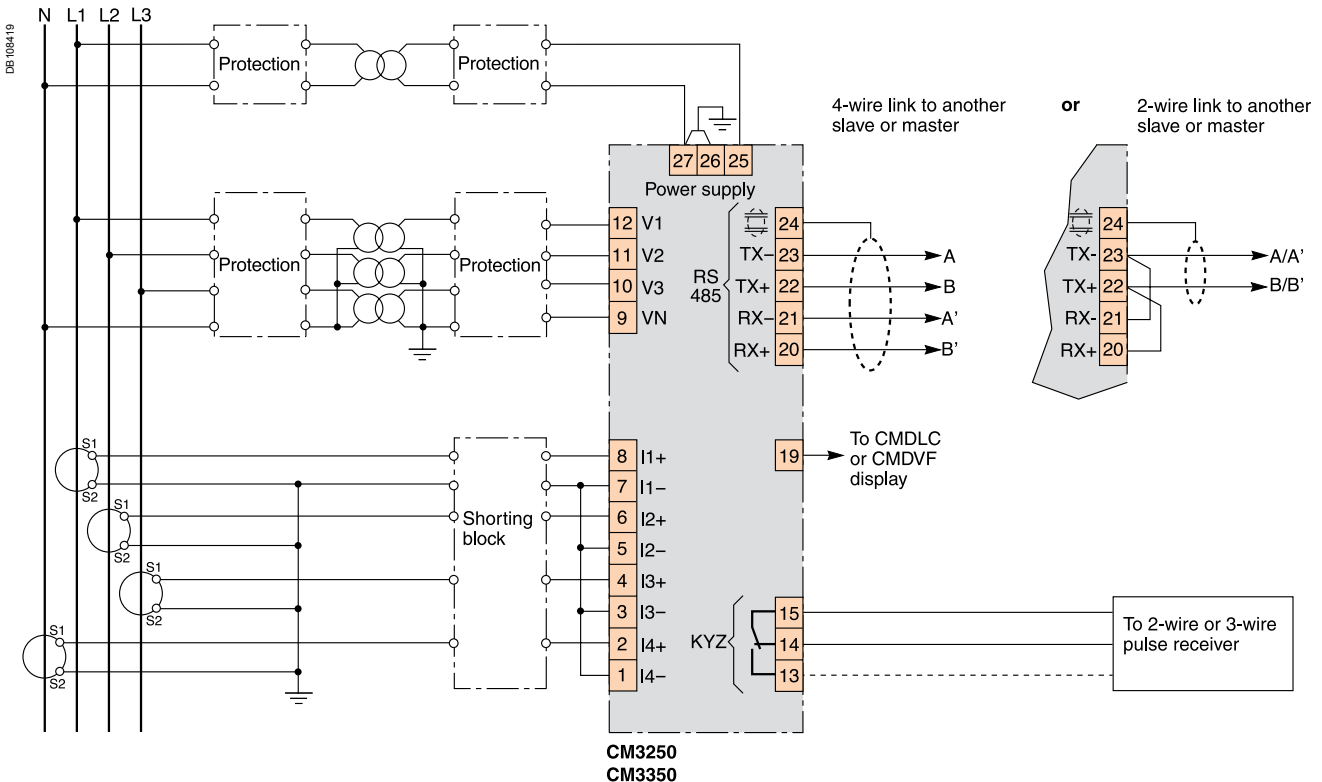
Circuit Monitor Series 3000

Installation and connection (cont.)

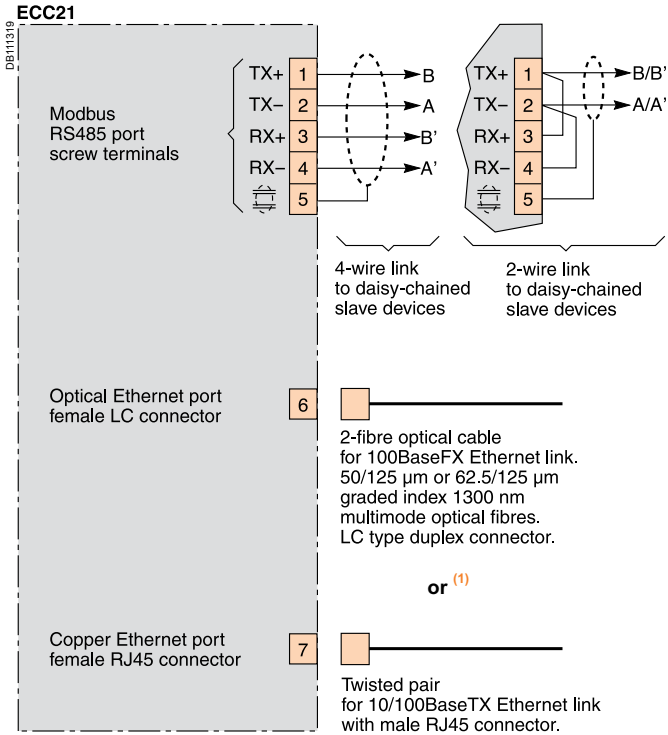
3-wire connection with 2 CTs and no PT



4-wire connection with 4 CTs and 3PTs



Ethernet ECC21 communication card



⁽¹⁾ The ECC21 card can connect 1 copper Ethernet link or 1 optical Ethernet link, but not both at the same time.

IOC44 input/output card

